

**PFP LC 1.25MM  
OD MM CERAMIC  
ZIRCONIA  
FERRULES**



**Part Number: MM-FER2007C-XXXX**

## **PRODUCT DESCRIPTION**

Precision Fiber Products, Inc. manufactures LC-type 1.25mm OD ceramic ferrules sticks. They come in a variety of ID bore sizes and performance types.

## **FEATURES**

- 100% tested for concentricity and bore size Custom manufacturing available
- Low insertion loss
- Low back reflection
- High precision and reliability



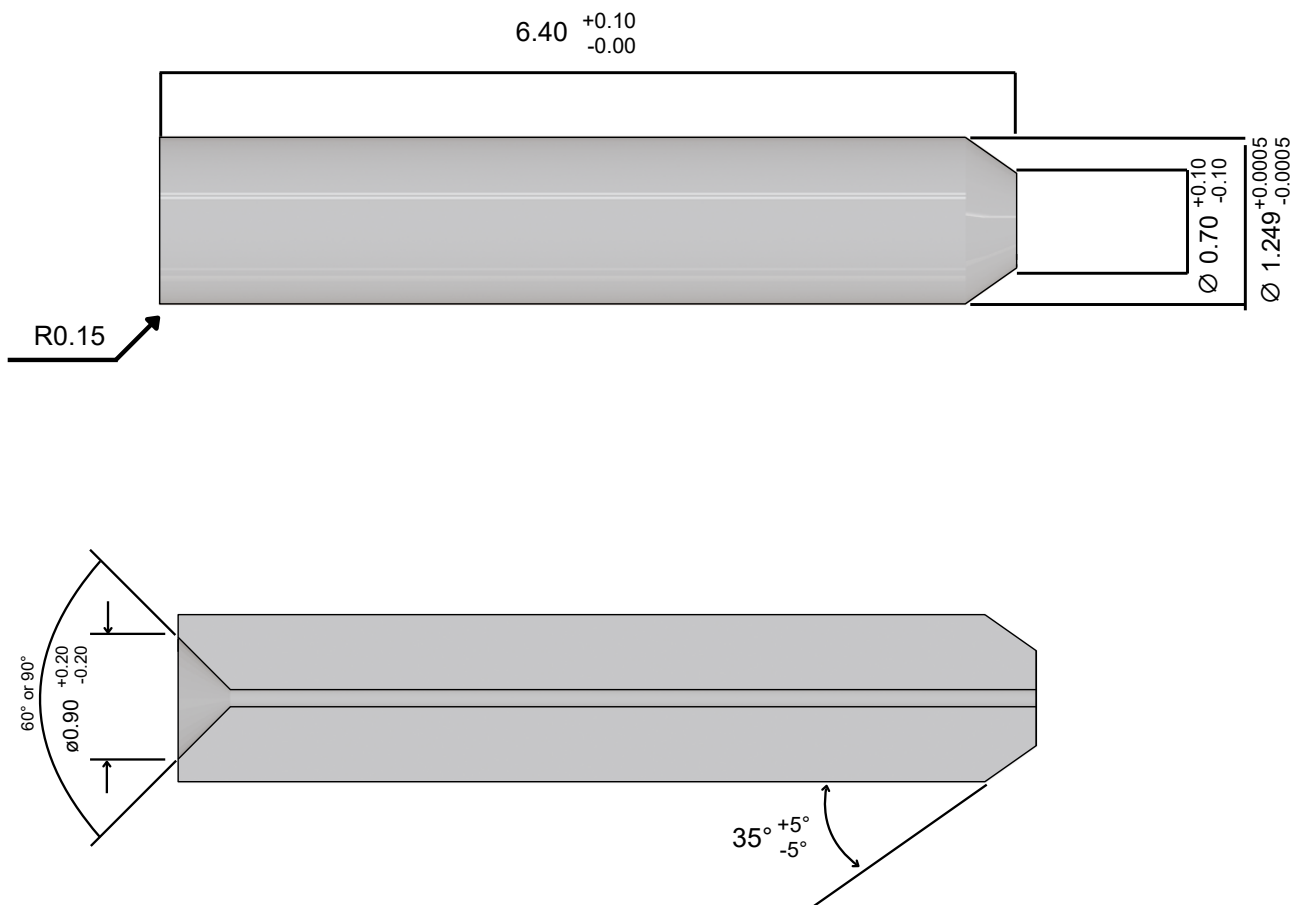
# MECHANICAL SPECIFICATIONS

## SINGLEMODE

Family	Ferrule
Length	6.40 + 0.10mm
Outer Diameter	1.25mm
Bore Size	126 - 380um
End Face	Cone
Material	Ceramic Zirconia (ZrO <sub>2</sub> )

## DRAWING

(All dimensions are in mm and are for reference only)





### PERFORMANCE TABLE

-XXXX	I.D	Standard			Premium			Spectacular®		
		Min	Max	Concentricity	Min	Max	Concentricity	Min	Max	Concentricity
1260	0.1260	0.1260	0.1300	<4	0.1260	0.1300	<2	0.1260	0.1280	<2
1270	0.1270	0.1270	0.1310	<4	0.1270	0.1310	<2	0.1270	0.1290	<2
1400	0.1400	0.1400	0.1450	<10	0.1400	0.1450	<5	0.1400	0.1425	<5
1440	0.1440	0.1440	0.1490	<10	0.1440	0.1490	<5	0.1440	0.1465	<5
1500	0.1500	0.1500	0.1550	<10	0.1500	0.1550	<5	0.1500	0.1525	<5
1600	0.1600	0.1600	0.1650	<15	0.1600	0.1650	<7.5	0.1600	0.1625	<7.5
1700	0.1700	0.1700	0.1750	<15	0.1700	0.1750	<7.5	0.1700	0.1725	<7.5
1800	0.1800	0.1800	0.1900	<15	0.1800	0.1900	<7.5	0.1800	0.1850	<7.5
1900	0.1900	0.1900	0.1950	<15	0.1900	0.1950	<7.5	0.1900	0.1925	<7.5
2000	0.2000	0.2000	0.2100	<20	0.2000	0.2100	<10	0.2000	0.2050	<10
2100	0.2100	0.2100	0.2200	<20	0.2100	0.2200	<10	0.2100	0.2150	<10
2200	0.2200	0.2200	0.2300	<20	0.2200	0.2300	<10	0.2200	0.2250	<10
2300	0.2300	0.2300	0.2400	<20	0.2300	0.2400	<10	0.2300	0.2350	<10
2400	0.2400	0.2400	0.2500	<20	0.2400	0.2500	<10	0.2400	0.2450	<10
2500	0.2500	0.2500	0.2600	<20	0.2500	0.2600	<10	0.2500	0.2550	<10
2600	0.2600	0.2600	0.2700	<20	0.2600	0.2700	<10	0.2600	0.2650	<10
2700	0.2700	0.2700	0.2800	<20	0.2700	0.2800	<10	0.2700	0.2750	<10
2800	0.2800	0.2800	0.2900	<20	0.2800	0.2900	<10	0.2800	0.2850	<10
2900	0.2900	0.2900	0.3000	<20	0.2900	0.3000	<10	0.2900	0.2950	<10
3000	0.3000	0.3000	0.3100	<20	0.3000	0.3100	<10	0.3000	0.3050	<10
3100	0.3100	0.3100	0.3200	<20	0.3100	0.3200	<10	0.3100	0.3150	<10
3200	0.3200	0.3200	0.3300	<20	0.3200	0.3300	<10	0.3200	0.3250	<10
3300	0.3300	0.3300	0.3400	<20	0.3300	0.3400	<10	0.3300	0.3350	<10
3400	0.3400	0.3400	0.3500	<20	0.3400	0.3500	<10	0.3400	0.3450	<10
3500	0.3500	0.3500	0.3600	<20	0.3500	0.3600	<10	0.3500	0.3550	<10
3600	0.3600	0.3600	0.3700	<20	0.3600	0.3700	<10	0.3600	0.3650	<10
3700	0.3700	0.3700	0.3800	<20	0.3700	0.3800	<10	0.3700	0.3750	<10
3800	0.3800	0.3800	0.3900	<20	0.3800	0.3900	<10	0.3800	0.3850	<10



## ORDERING INFORMATION

MM-FER2007C-XXXX

-X

ID Bore Size	Performance Type
1260 = 126 um	(Empty) = Standard
1270 = 127 um	P = Premium
1400 = 140 um	E = Spectacular®
1440 = 144 um	
1500 = 150 um	
1600 = 160 um	
1700 = 170 um	
1800 = 180 um	
1900 = 190 um	
2000 = 200 um	
2100 = 210 um	
2200 = 220 um	
2300 = 230 um	
2400 = 240 um	
2500 = 250 um	
2600 = 260 um	
2700 = 270 um	
2800 = 280 um	
2900 = 290 um	
3000 = 300 um	
3100 = 310 um	

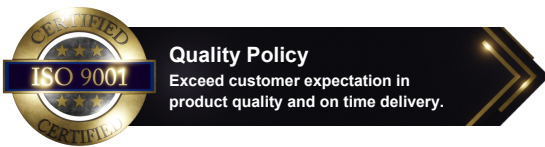


# ORDERING INFORMATION

MM-FER2007C-XXXX

-X

ID Bore Size	Performance Type
3200 = 320 um	(Empty) = Standard
3300 = 330 um	P = Premium
3400 = 340 um	E = Spectacular®
3500 = 350 um	
3600 = 360 um	
3700 = 370 um	
3800 = 380 um	



Rev. 01 Initial Release: RP

PFPP LC 1.25MM OD MM Ceramic Zirconia Ferrules / page. 5-5

## OUR LOCATIONS

