

**SMA 905  
CERAMIC  
FERRULE  
CONNECTOR, MM  
- NICKEL PLATED  
BRASS**



**Part Number: MM-CON905-XXXX**

## PRODUCT DESCRIPTION

Precision Fiber Products manufactures SMA multimode connectors. They come in a variety of ID bore sizes and performance types.

## FEATURES

- Threaded coupling nut
- TIA/IEC compliant
- Stainless 303 ferrule
- Available with 0.9mm, 2.0mm and 3.0mm Boots

## APPLICATIONS

- Industrial
- Medical/Surgical
- Laser Systems
- Spectrometers

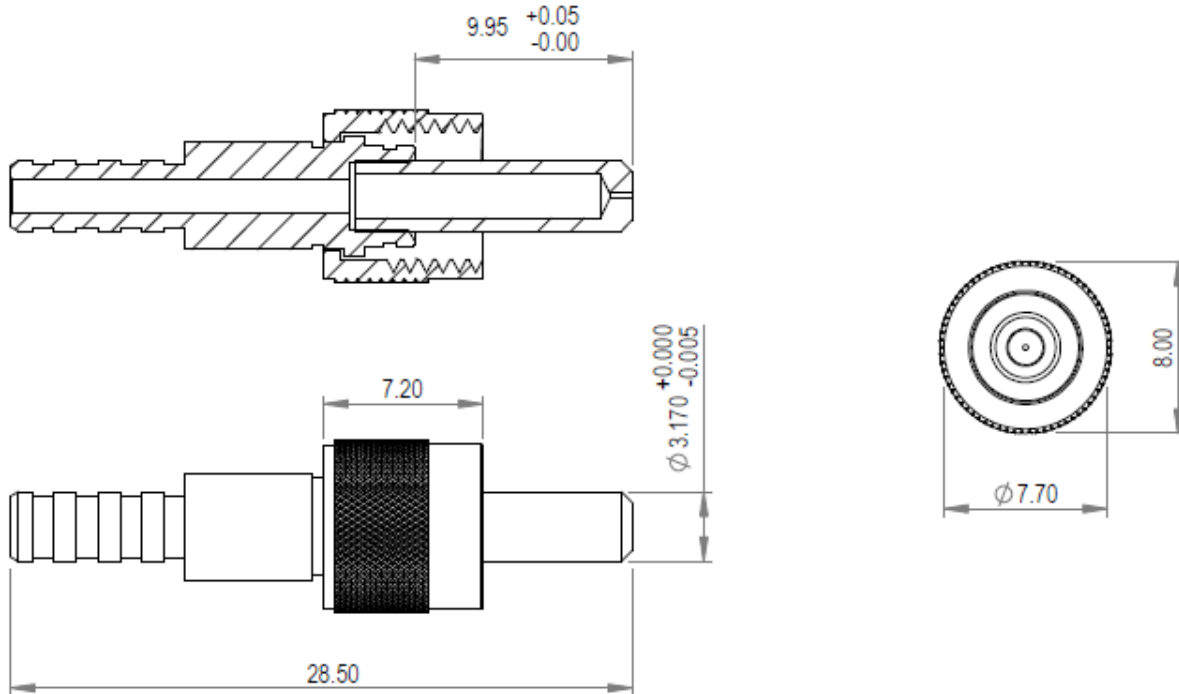
## MULTIMODE MECHANICAL SPECIFICATIONS

<b>Family</b>	Connector
<b>Type</b>	SMA
<b>End Face</b>	Flat
<b>Operating Temperature</b>	-40° - + 85 °C

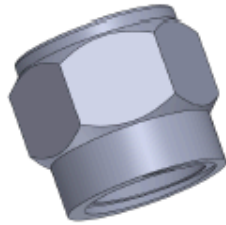


Part	Material	Size
Ferrule	Stainless 303	-
Body	Nickel Plated Brass	-
Hex Nut	Nickel Plated Brass	-
Round Nut	Nickel Plated Brass	-
Boot	TPEE PVC	2mm 0.9mm , 3mm
Crimp	Aluminum 5053	2mm, 3mm

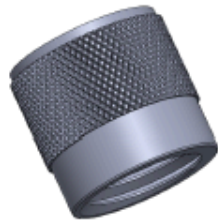
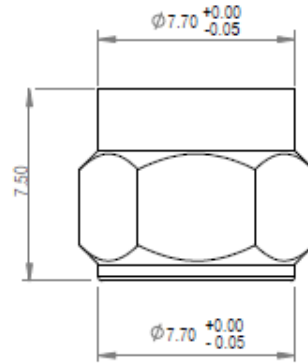
## DRAWING SPECIFICATIONS



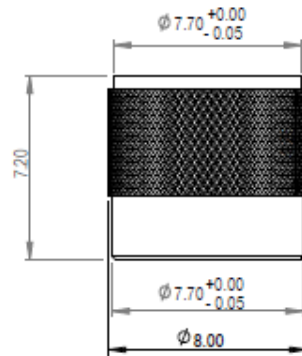
Unit: mm



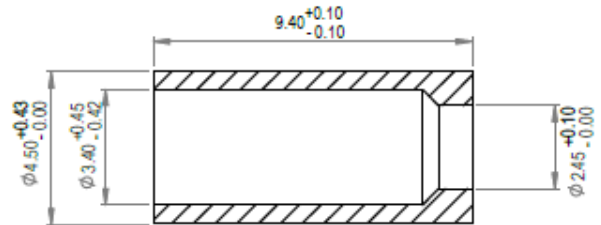
PN: Hex Nut



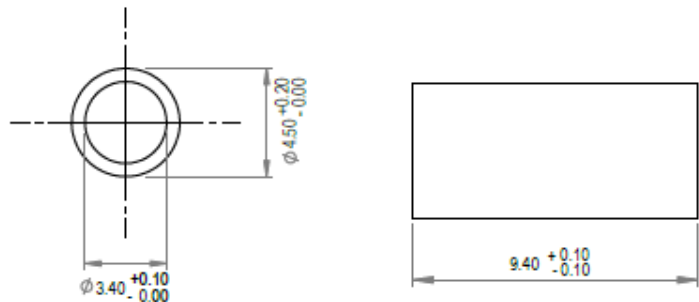
PN: Round Nut



PN: CRP-2ST-STA  
Crimp Hex Size: (0.147, 0.131)



PN: CRP-3ST-STA  
Crimp Hex Size: (0.147, 0.131)

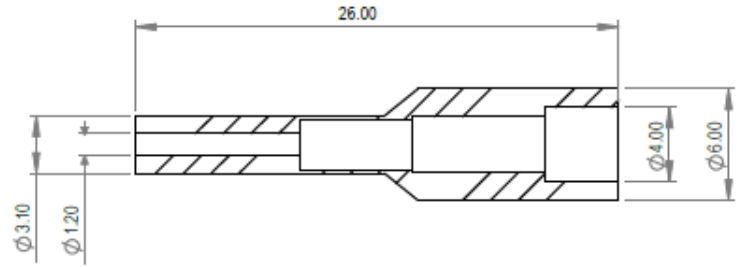


Unit: mm

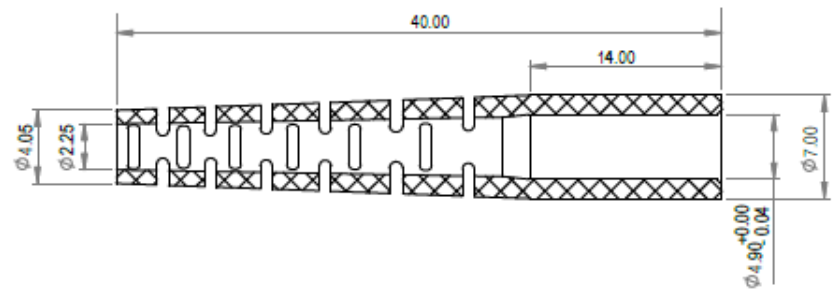
\*For perfect and easy crimping, use the [PFP Fiber Optic Crimp Tool \(PFP-CT1000\)](#)



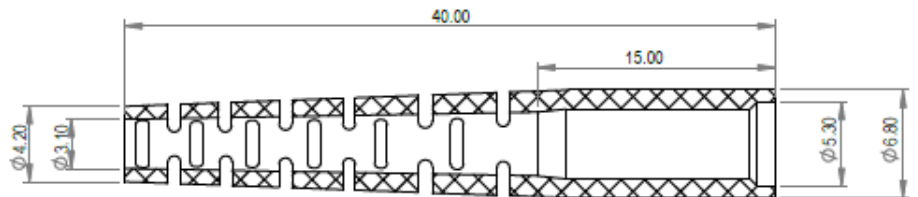
PN: BOT-905-9BLK



PN: BOT-SMA-2BLK



PN: BOT-905-3BLK



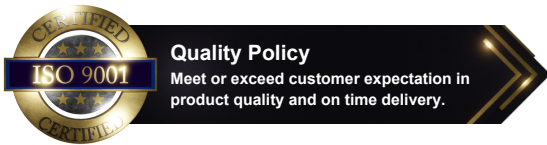
Unit: mm



# ORDERING INFORMATION

MM-CON905-XXXX	-XX	-XXX	-X
ID Bore	Boot Size	Boot Color	Performance Type
1260 = 126um	14 = 0.9mm (14.5mm short step)	BLK = Black	Blank = Standard
3000 = 300um	29 = 0.9mm (29mm long step)	BLU = Blue	P = Premium
5300 = 530um	02 = 2mm	GRN = Green	E = Spectacular®
7500 = 750um	03 = 3mm	RED = Red	
8500 = 850um		WHT = White	
		BGE = Beige	
		YLW = Yellow	

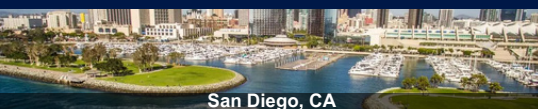
\* [Contact us](#) to request more ID Bore sizes.



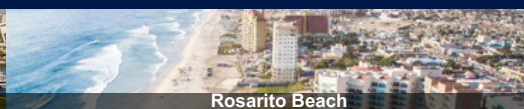
Rev. 01 Initial Release: RP

SMA 905 Ceramic Ferrule Connector, MM - Nickel Plated Brass / page. 5-5

## OUR LOCATIONS



San Diego, CA



Rosarito Beach



Dongguan China