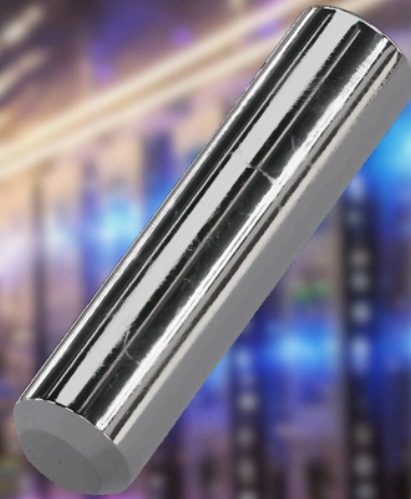


PFP SMA 3.17MM OD MULTIMODE STAINLESS FERRULES



Part Number: MM-FER905-303-XXXX

PRODUCT DESCRIPTION

Precision Fiber Products, Inc., manufactures SMA type 3.17mm OD stainless ferrule sticks. They come in a variety of ID bore sizes and performance types.

FEATURES

- 100% tested for concentricity and bore size.
- Custom manufacturing available.
- Low insertion loss.
- Low back reflection.
- High precision and reliability.

MECHANICAL SPECIFICATIONS

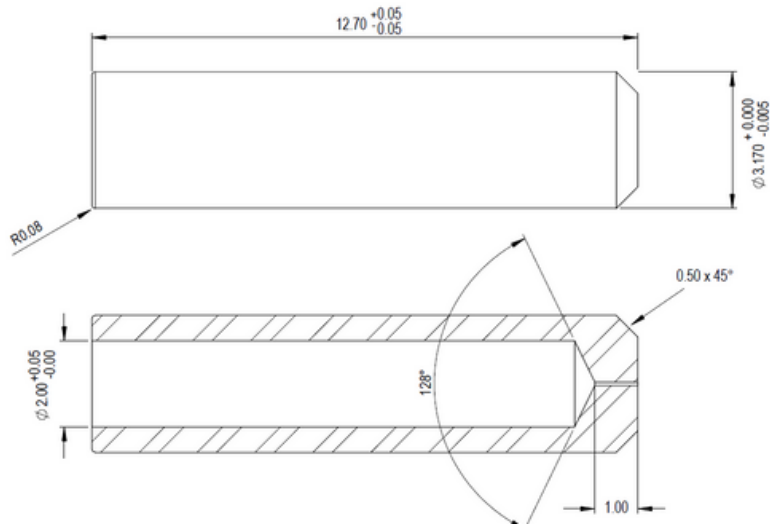
MULTIMODE

Family	Ferrule
Length	12.7 ± 0.05mm
Outer Diameter	3.17mm
Bore Size	126 - 850um
End Face	Flat
Material	Stainless 303



DRAWING

(All dimensions are in mm and are for reference only)



CONCENTRICITY TABLE

PERFORMANCE TABLE

-XXXX	I.D	Standard			Premium			Spectacular®		
		Min	Max	Concentricity	Min	Max	Concentricity	Min	Max	Concentricity
1260	0.1260	0.1260	0.1310	<10	0.1260	0.1310	<5	0.1260	0.1280	<5
1400	0.1400	0.1400	0.1450	<10	0.1400	0.1450	<5	0.1400	0.1425	<5
1500	0.1500	0.1500	0.1550	<10	0.1500	0.1550	<5	0.1500	0.1525	<5
1600	0.1600	0.1600	0.1650	<15	0.1600	0.1650	<7.5	0.1600	0.1625	<7.5
1700	0.1700	0.1700	0.1750	<15	0.1700	0.1750	<7.5	0.1700	0.1725	<7.5
1800	0.1800	0.1800	0.1900	<15	0.1800	0.1900	<7.5	0.1800	0.1850	<7.5
1900	0.1900	0.1900	0.1950	<15	0.1900	0.1950	<7.5	0.1900	0.1925	<7.5
2000	0.2000	0.2000	0.2100	<20	0.2000	0.2100	<10	0.2000	0.2050	<10
2100	0.2100	0.2100	0.2200	<20	0.2100	0.2200	<10	0.2100	0.2150	<10
2200	0.2200	0.2200	0.2300	<20	0.2200	0.2300	<10	0.2200	0.2250	<10
2300	0.2300	0.2300	0.2400	<20	0.2300	0.2400	<10	0.2300	0.2350	<10
2400	0.2400	0.2400	0.2500	<20	0.2400	0.2500	<10	0.2400	0.2450	<10
2500	0.2500	0.2500	0.2600	<20	0.2500	0.2600	<10	0.2500	0.2550	<10



PERFORMANCE TABLE

-XXXX	I.D	Standard			Premium			Spectacular®		
		Min	Max	Concentricity	Min	Max	Concentricity	Min	Max	Concentricity
2600	0.2600	0.2600	0.2700	<20	0.2600	0.2700	<10	0.2600	0.2650	<10
2700	0.2700	0.2700	0.2800	<20	0.2700	0.2800	<10	0.2700	0.2750	<10
2800	0.2800	0.2800	0.2900	<20	0.2800	0.2900	<10	0.2800	0.2850	<10
2900	0.2900	0.2900	0.3000	<20	0.2900	0.3000	<10	0.2900	0.2950	<10
3000	0.3000	0.3000	0.3100	<20	0.3000	0.3100	<10	0.3000	0.3050	<10
3100	0.3100	0.3100	0.3200	<20	0.3100	0.3200	<10	0.3100	0.3150	<10
3200	0.3200	0.3200	0.3300	<20	0.3200	0.3300	<10	0.3200	0.3250	<10
3300	0.3300	0.3300	0.3400	<20	0.3300	0.3400	<10	0.3300	0.3350	<10
3400	0.3400	0.3400	0.3500	<20	0.3400	0.3500	<10	0.3400	0.3450	<10
3500	0.3500	0.3500	0.3600	<20	0.3500	0.3600	<10	0.3500	0.3550	<10
3600	0.3600	0.3600	0.3700	<20	0.3600	0.3700	<10	0.3600	0.3650	<10
3700	0.3700	0.3700	0.3800	<20	0.3700	0.3800	<10	0.3700	0.3750	<10
3800	0.3800	0.3800	0.3900	<20	0.3800	0.3900	<10	0.3800	0.3850	<10
3900	0.3900	0.3900	0.4000	<20	0.3900	0.4000	<10	0.3900	0.3950	<10
4000	0.4000	0.4000	0.4100	<20	0.4000	0.4100	<10	0.4000	0.4050	<10
4100	0.4100	0.4100	0.4200	<20	0.4100	0.4200	<10	0.4100	0.4150	<10
4200	0.4200	0.4200	0.4300	<20	0.4200	0.4300	<10	0.4200	0.4250	<10
4300	0.4300	0.4300	0.4400	<20	0.4300	0.4400	<10	0.4300	0.4350	<10
4400	0.4400	0.4400	0.4500	<20	0.4400	0.4500	<10	0.4400	0.4450	<10
4500	0.4500	0.4500	0.4600	<30	0.4500	0.4600	<15	0.4500	0.4550	<15
4600	0.4600	0.4600	0.4700	<30	0.4600	0.4700	<15	0.4600	0.4650	<15
4700	0.4700	0.4700	0.4800	<30	0.4700	0.4800	<15	0.4700	0.4750	<15



PERFORMANCE TABLE

-XXXX	I.D	Standard			Premium			Spectacular®		
		Min	Max	Concentricity	Min	Max	Concentricity	Min	Max	Concentricity
4800	0.4800	0.4800	0.4900	<30	0.4800	0.4900	<15	0.4800	0.4850	<15
4900	0.4900	0.4900	0.5000	<30	0.4900	0.5000	<15	0.4900	0.4950	<15
5000	0.5000	0.5000	0.5100	<30	0.5000	0.5100	<15	0.5000	0.5050	<15
5100	0.5100	0.5100	0.5200	<40	0.5100	0.5200	<20	0.5100	0.5150	<20
5200	0.5200	0.5200	0.5300	<40	0.5200	0.5300	<20	0.5200	0.5250	<20
5300	0.5300	0.5300	0.5400	<40	0.5300	0.5400	<20	0.5300	0.5350	<20
5400	0.5400	0.5400	0.5500	<40	0.5400	0.5500	<20	0.5400	0.5450	<20
5500	0.5500	0.5500	0.5600	<40	0.5500	0.5600	<20	0.5500	0.5550	<20
5600	0.5600	0.5600	0.5700	<40	0.5600	0.5700	<20	0.5600	0.5650	<20
5700	0.5700	0.5700	0.5800	<40	0.5700	0.5800	<20	0.5700	0.5750	<20
5800	0.5800	0.5800	0.5900	<40	0.5800	0.5900	<20	0.5800	0.5850	<20
5900	0.5900	0.5900	0.6000	<40	0.5900	0.6000	<20	0.5900	0.5950	<20
6000	0.6000	0.6000	0.6100	<40	0.6000	0.6100	<20	0.6000	0.6050	<20
6100	0.6100	0.6100	0.6200	<40	0.6100	0.6200	<20	0.6100	0.6150	<20
6200	0.6200	0.6200	0.6300	<40	0.6200	0.6300	<20	0.6200	0.6250	<20
6300	0.6300	0.6300	0.6400	<40	0.6300	0.6400	<20	0.6300	0.6350	<20
6400	0.6400	0.6400	0.6500	<40	0.6400	0.6500	<20	0.6400	0.6450	<20
6500	0.6500	0.6500	0.6600	<40	0.6500	0.6600	<20	0.6500	0.6550	<20
6600	0.6600	0.6600	0.6700	<40	0.6600	0.6700	<20	0.6600	0.6650	<20
6700	0.6700	0.6700	0.6800	<40	0.6700	0.6800	<20	0.6700	0.6750	<20
6800	0.6800	0.6800	0.6900	<40	0.6800	0.6900	<20	0.6800	0.6850	<20



-XXXX	I.D	Standard			Premium			Spectacular®		
		Min	Max	Concentricity	Min	Max	Concentricity	Min	Max	Concentricity
6900	0.6900	0.6900	0.7000	<40	0.6900	0.7000	<20	0.6900	0.6950	<20
7000	0.7000	0.7000	0.7100	<40	0.7000	0.7100	<20	0.7000	0.7050	<20
7100	0.7100	0.7100	0.7200	<40	0.7100	0.7200	<20	0.7100	0.7150	<20
7200	0.7200	0.7200	0.7300	<40	0.7200	0.7300	<20	0.7200	0.7250	<20
7300	0.7300	0.7300	0.7400	<40	0.7300	0.7400	<20	0.7300	0.7350	<20
7400	0.7400	0.7400	0.7500	<40	0.7400	0.7500	<20	0.7400	0.7450	<20
7500	0.7500	0.7500	0.7600	<40	0.7500	0.7600	<20	0.7500	0.7550	<20
7600	0.7600	0.7600	0.7700	<50	0.7600	0.7700	<25	0.7600	0.7650	<25
7700	0.7700	0.7700	0.7800	<50	0.7700	0.7800	<25	0.7700	0.7750	<25
7800	0.7800	0.7800	0.7900	<50	0.7800	0.7900	<25	0.7800	0.7850	<25
7900	0.7900	0.7900	0.8000	<50	0.7900	0.8000	<25	0.7900	0.7950	<25
8000	0.8000	0.8000	0.8100	<50	0.8000	0.8100	<25	0.8000	0.8050	<25
8100	0.8100	0.8100	0.8200	<50	0.8100	0.8200	<25	0.8100	0.8150	<25
8200	0.8200	0.8200	0.8300	<50	0.8200	0.8300	<25	0.8200	0.8250	<25
8300	0.8300	0.8300	0.8400	<50	0.8300	0.8400	<25	0.8300	0.8350	<25
8400	0.8400	0.8400	0.8500	<50	0.8400	0.8500	<25	0.8400	0.8450	<25
8500	0.8500	0.8500	0.8600	<50	0.8500	0.8600	<25	0.8500	0.8550	<25



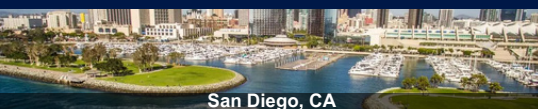
Quality Policy

Meet or exceed customer expectation in product quality and on time delivery.

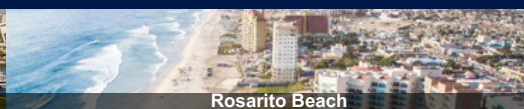
Rev. 01 Initial Release: RP

PFP SMA 3.17mm OD Multimode Stainless Ferrules / page. 5-5

OUR LOCATIONS



San Diego, CA



Rosarito Beach



Dongguan China



customerservice@pfpfiber.com



408-946-4040



www.precisionfiberproducts.com