

**PFP LC 1.25MM
OD MULTIMODE
CERAMIC
ZIRCONIA
FERRULES**



Part Number: MM-FER2007C-XXXX

PRODUCT DESCRIPTION

Precision Fiber Products, Inc., manufactures LC-type 1.25mm OD ceramic ferrules sticks. They come in a variety of ID bore sizes and performance types.

FEATURES

- 100% tested for concentricity and bore size.
- Custom manufacturing available.
- Low insertion loss.
- Low back reflection.
- High precision and reliability.

MECHANICAL SPECIFICATIONS

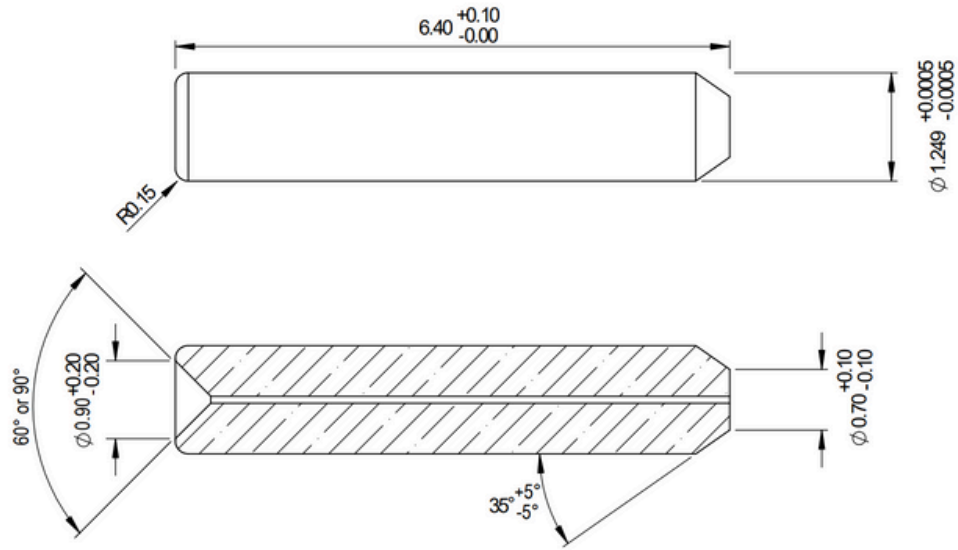
MULTIMODE

Family	Ferrule
Length	6.40 + 0.10mm
Outer Diameter	1.25mm
Bore Size	126 - 380um
End Face	Cone
Material	Ceramic Zirconia (ZrO ₂)



DRAWING

(All dimensions are in mm and are for reference only)



CONCENTRICITY TABLE

PERFORMANCE TABLE

-XXXX	I.D	Standard			Premium			Spectacular®		
		Min	Max	Concentricity	Min	Max	Concentricity	Min	Max	Concentricity
1260	0.1260	0.1260	0.1300	<4	0.1260	0.1300	<2	0.1260	0.1280	<2
1270	0.1270	0.1270	0.1310	<4	0.1270	0.1310	<2	0.1270	0.1290	<2
1400	0.1400	0.1400	0.1450	<10	0.1400	0.1450	<5	0.1400	0.1425	<5
1440	0.1440	0.1440	0.1490	<10	0.1440	0.1490	<5	0.1440	0.1475	<5
1500	0.1500	0.1500	0.1550	<10	0.1500	0.1550	<5	0.1500	0.1525	<5
1600	0.1600	0.1600	0.1650	<15	0.1600	0.1650	<7.5	0.1600	0.1625	<7.5
1700	0.1700	0.1700	0.1750	<15	0.1700	0.1750	<7.5	0.1700	0.1725	<7.5
1800	0.1800	0.1800	0.1900	<15	0.1800	0.1900	<7.5	0.1800	0.1850	<7.5
1900	0.1900	0.1900	0.1950	<15	0.1900	0.1950	<7.5	0.1900	0.1925	<7.5
2000	0.2000	0.2000	0.2100	<20	0.2000	0.2100	<10	0.2000	0.2050	<10
2100	0.2100	0.2100	0.2200	<20	0.2100	0.2200	<10	0.2100	0.2150	<10



PERFORMANCE TABLE

-XXXX	I.D	Standard			Premium			Spectacular®		
		Min	Max	Concentricity	Min	Max	Concentricity	Min	Max	Concentricity
2200	0.2200	0.2200	0.2300	<20	0.2200	0.2300	<10	0.2200	0.2250	<10
2300	0.2300	0.2300	0.2400	<20	0.2300	0.2400	<10	0.2300	0.2350	<10
2400	0.2400	0.2400	0.2500	<20	0.2400	0.2500	<10	0.2400	0.2450	<10
2500	0.2500	0.2500	0.2600	<20	0.2500	0.2600	<10	0.2500	0.2550	<10
2600	0.2600	0.2600	0.2700	<20	0.2600	0.2700	<10	0.2600	0.2650	<10
2700	0.2700	0.2700	0.2800	<20	0.2700	0.2800	<10	0.2700	0.2750	<10
2800	0.2800	0.2800	0.2900	<20	0.2800	0.2900	<10	0.2800	0.2850	<10
2900	0.2900	0.2900	0.3000	<20	0.2900	0.3000	<10	0.2900	0.2950	<10
3000	0.3000	0.3000	0.3100	<20	0.3000	0.3100	<10	0.3000	0.3050	<10
3100	0.3100	0.3100	0.3200	<20	0.3100	0.3200	<10	0.3100	0.3150	<10
3200	0.3200	0.3200	0.3300	<20	0.3200	0.3300	<10	0.3200	0.3250	<10
3300	0.3300	0.3300	0.3400	<20	0.3300	0.3400	<10	0.3300	0.3350	<10
3400	0.3400	0.3400	0.3500	<20	0.3400	0.3500	<10	0.3400	0.3450	<10
3500	0.3500	0.3500	0.3600	<20	0.3500	0.3600	<10	0.3500	0.3550	<10
3600	0.3600	0.3600	0.3700	<20	0.3600	0.3700	<10	0.3600	0.3650	<10
3700	0.3700	0.3700	0.3800	<20	0.3700	0.3800	<10	0.3700	0.3750	<10
3800	0.3800	0.3800	0.3900	<20	0.3800	0.3900	<10	0.3800	0.3850	<10



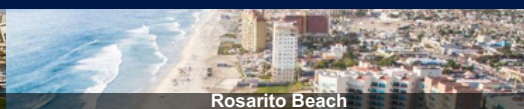
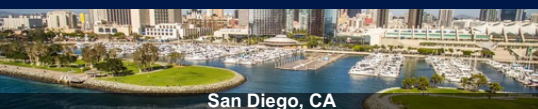
Quality Policy

Meet or exceed customer expectation in product quality and on time delivery.

Rev. 01 Initial Release: RP
Rev. 02 Updated format: RP

PFP LC 1.25mm OD Multimode Ceramic Zirconia Ferrules / page. 3-3

OUR LOCATIONS



customerservice@pfpfiber.com



408-946-4040



www.precisionfiberproducts.com